



Hopper and Drive Components

Tornado™ Hopper Spreader

#78000-1, 78003-1, 78006-1

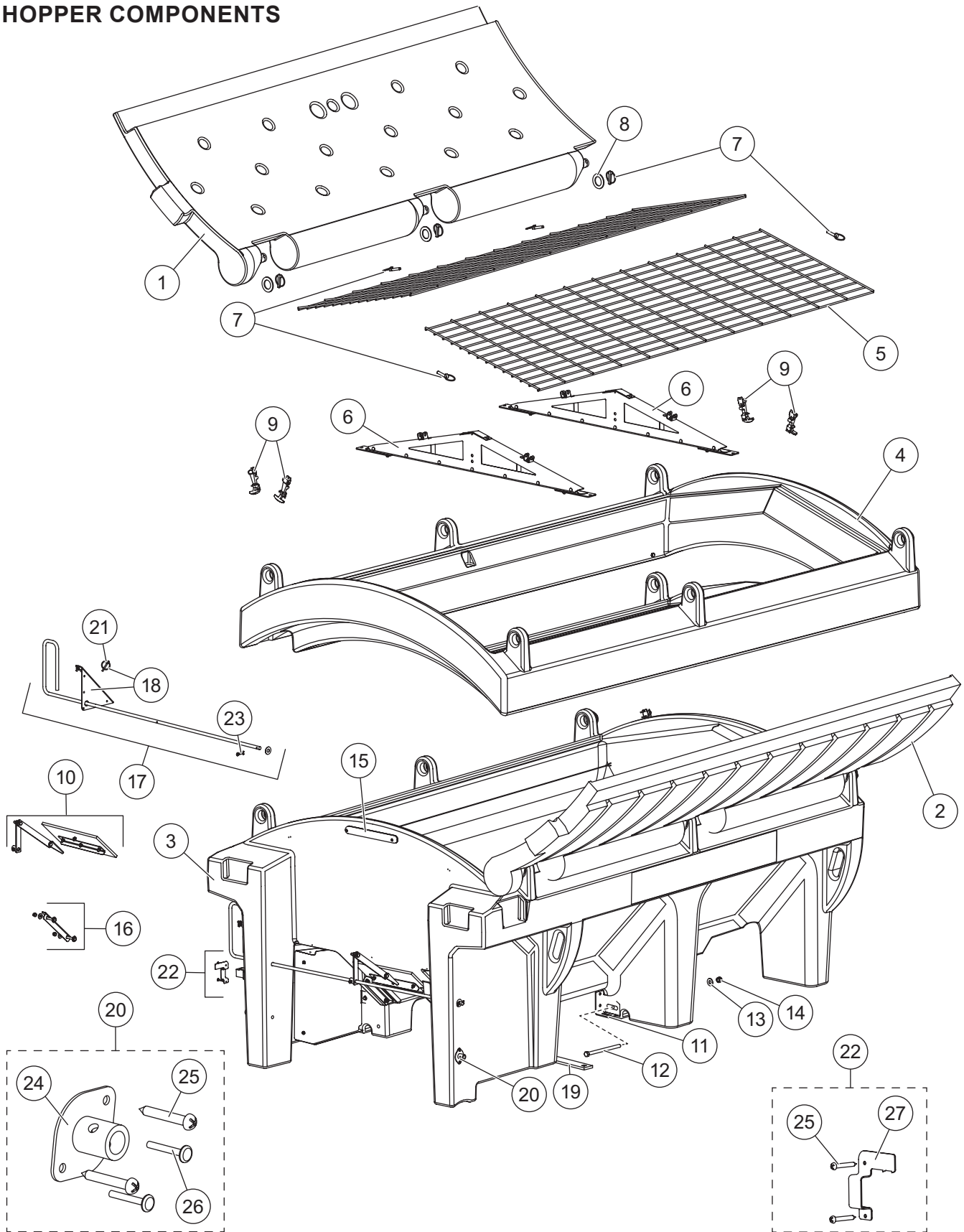
Parts List



This Parts List is for WESTERN® Tornado hopper spreaders
with serial numbers beginning with 201211 and higher.

Tornado™ HOPPER SPREADER

HOPPER COMPONENTS



Tornado™ HOPPER SPREADER

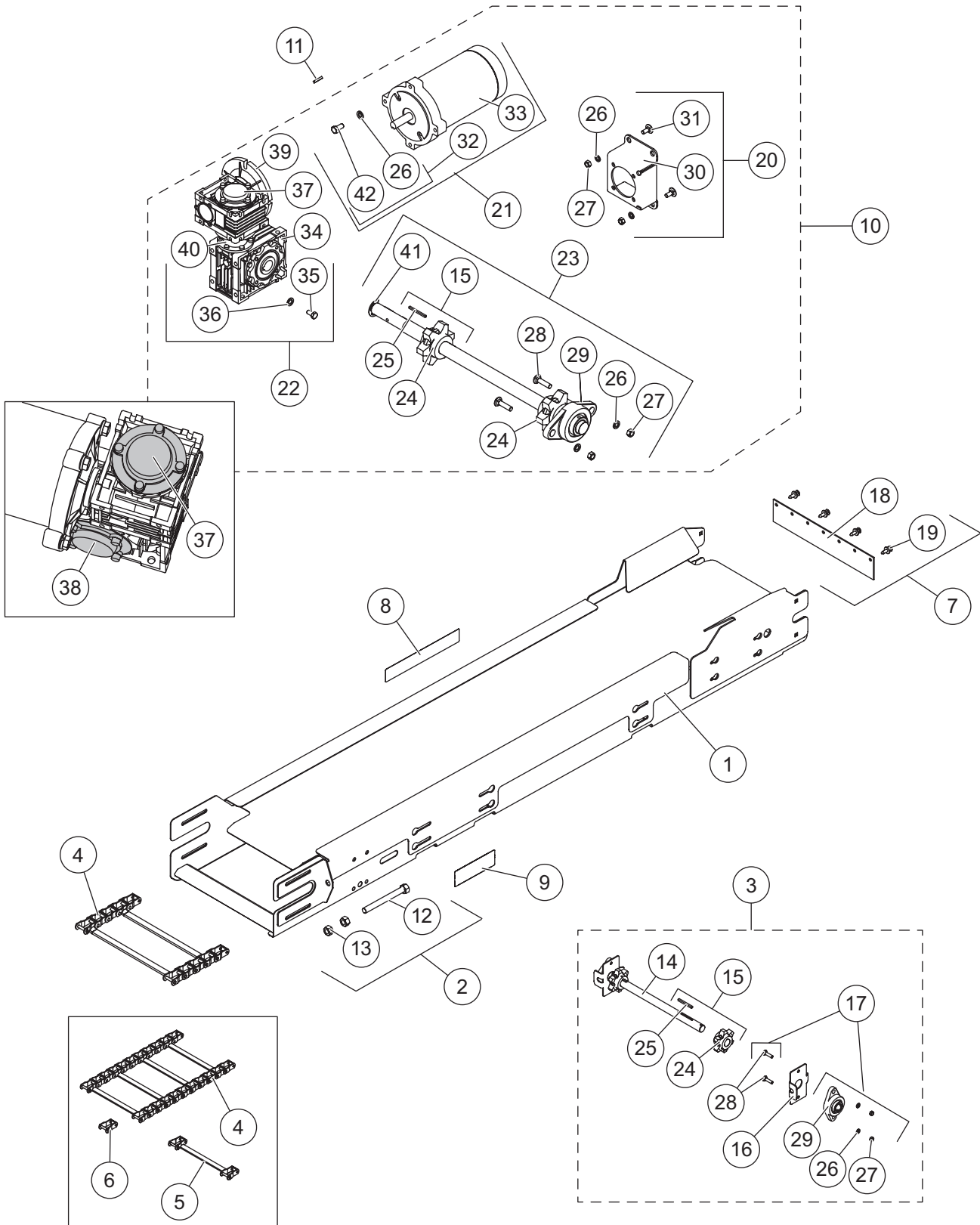
Hopper Components							
Item	Part	Qty	Description	Item	Part	Qty	Description
1	78018*	1	Poly Hopper Lid, 7' (DS)	12		4	1/2-13 x 7-1/2 Hex Cap Screw SS
	78288†	1	Poly Hopper Lid, 7' (DS)	13		4	1/2 Flat Washer SS
	78019	1	Poly Hopper Lid, 8' (DS)	14		4	1/2-13 Hex Locknut SS
2	78020*	1	Poly Hopper Lid, 7' (PS)	ns		8	3/8-16 x 1 Carriage Bolt SS
	78290†	1	Poly Hopper Lid, 7' (PS)	ns		8	3/8 Lock Washer SS
	78021	1	Poly Hopper Lid, 8' (PS)	ns		8	3/8-16 Hex Nut SS
3	78009	1	Poly Hopper Body, 7'	15	78048-1	1	CHMSL Kit (w/fasteners)
	78012	1	Poly Hopper Body, 8'	16	78083	1	Feed Gate Guide w/Fasteners Kit
4	78226	1	Poly Hopper Collar, 8'	17	78094	1	Feed Gate Handle Kit
5	78115	2	Top Screen, 7' (painted)	18	78098	1	Feed Gate Detent Bracket Kit
	78116	2	Top Screen, 8' (painted)	ns		4	3/8-16 x 1-1/2 Hex Cap Screw
6	78117-3	2	Top Screen Brace w/Label	19	78109	2	Mounting Bar w/Hardware
7	93010	10	7/16 Linchpin	ns	78242	1	Poly Hopper Collar Hardware Kit
8	78097	6	2.5 OD x 1.53 ID Washer SS	20	78262	2	Chute Attachment Sleeve Kit
9	65224	4	Rubber Hold-Down Strap	21	93042	1	3/16 Linchpin
ns	99775	1	Cable Boot	22	99748	1	Chute Connector Clip Kit
10	78118	1	Feed Gate Assembly Kit	ns	68584	2	Label – Warning/Caution, Spreaders
11	78119	3	Hopper Mounting Bracket (PS)	ns	11100	1	Label – Warning, Rear Camera
ns	78133	3	Hopper Mounting Bracket (DS)	ns	67272		Label – Caution, Do Not Lift
Item 10				78118 Feed Gate Assembly Kit			
	78093	1	Feed Gate Sub Assembly	90601	1	1/4 x 1-1/2 Cotter Pin	
Item 16				78083 Feed Gate Guide w/Fasteners Kit			
	94495	2	5/16-18 x 2-1/4 Hex Cap Screw SS	91350	2	5/16-18 Hex Locknut SS	
	78047	1	Feed Gate Slide				
Item 17				78094 Feed Gate Handle Kit			
	78029	1	Feed Gate Actuator Shaft		1	1/2 Flat Washer Type A Wide SS	
23	90601	2	1/4 x 1-1/2 Cotter Pin				
Item 20				78262 Chute Attachment Sleeve Kit			
24		1	Pin Retainer	26		2	3/16 Pop Rivet Aluminum
25		2	#10 x 1-1/2 Pan Head Phillips Screw SS				
Item 22				99748 Chute Connector Clip Kit			
25		2	#10 x 1-1/2 Pan Head Phillips Screw SS	ns	99758	1	Label – Warning, Chute Connector Dump Switch
27		1	Chute Connector Clip				
ns = not shown				SS = Stainless Steel			

* Fits units with serial numbers beginning with 180530 and lower.

† Fits units with serial numbers beginning with 180531 and higher.

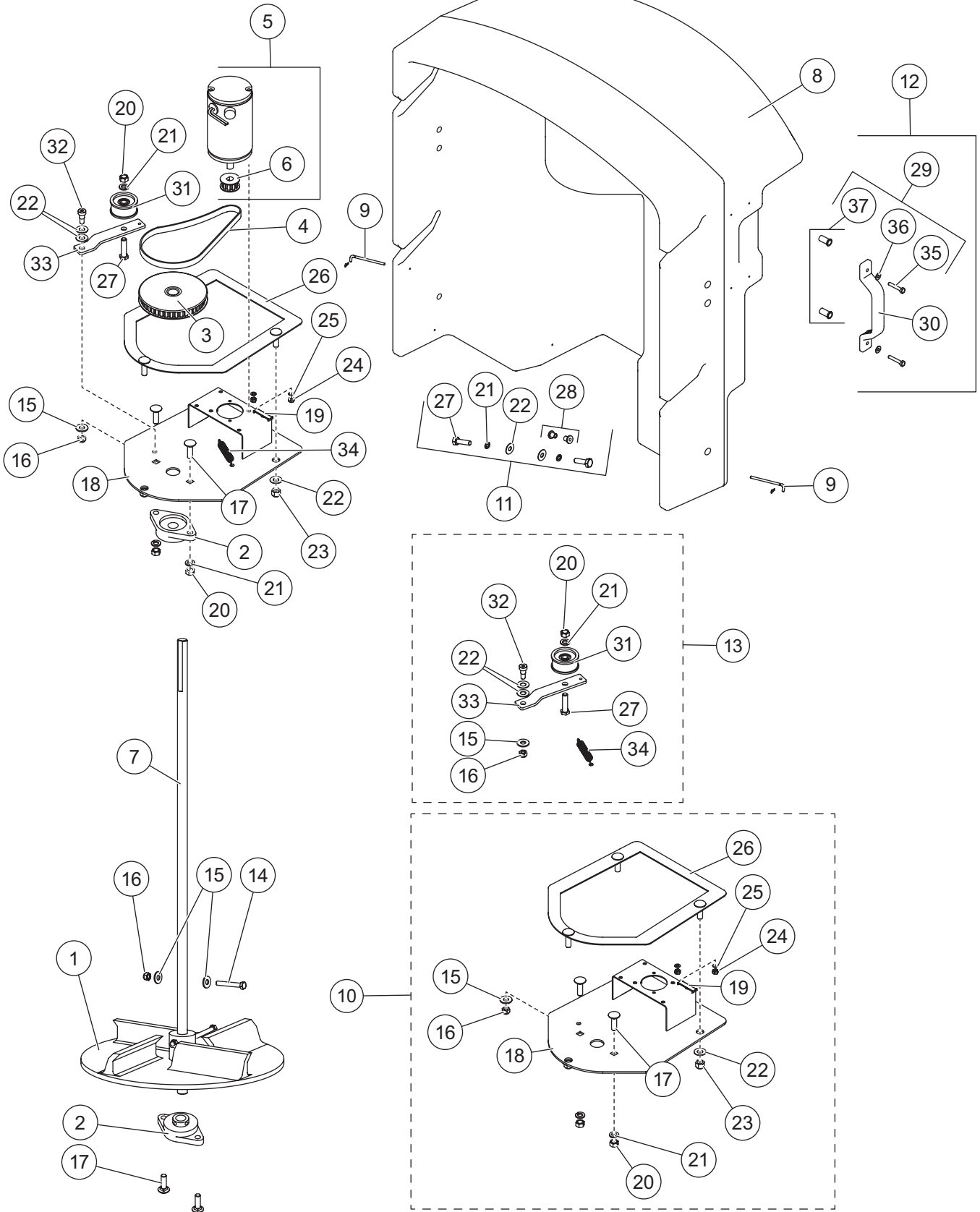
Tornado™ HOPPER SPREADER

DRIVE COMPONENTS



Tornado™ HOPPER SPREADER

CHUTE & SPINNER ASSEMBLY

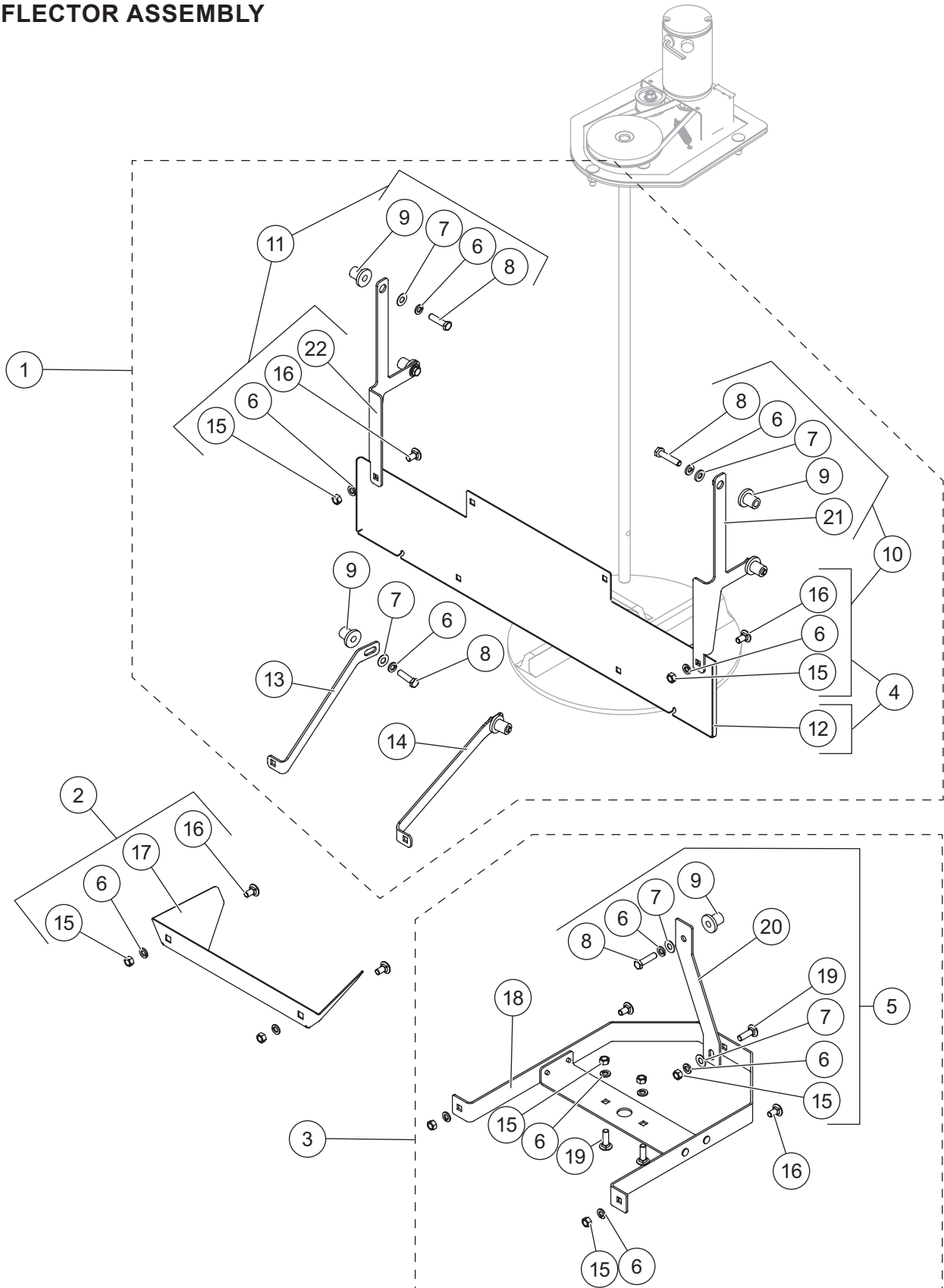


Tornado™ HOPPER SPREADER

89770 Chute Assembly							
Item	Part	Qty	Description	Item	Part	Qty	Description
1	94424	1	Spinner, Poly Two-Stage	10	71236	1	Motor Mount Kit
2	96167	2	2-Bolt Flanged Bearing, 0.750 ID	11	78268	2	3/8 Well Nut Fastener Kit
3	76796	1	Cogged Belt Pulley, 40-Tooth, 0.75 ID	12	78247	2	Chute Handle Kit
4	78285	1	Gear Belt, 3/8 Pitch	13	78298	1	Idler Kit
5	78300	1	Motor 12V DC 1/3 hp (incl. item 6)	14		1	5/16-18 x 2-1/4 Hex Cap Screw SS
6	76795	1	Cogged Belt Pulley, 10-Tooth, 0.5 ID	15		2	5/16 Flat Washer Type A Narrow
7	78283	1	Shaft, 0.75	16		1	5/16-18 Hex Locknut GB SS
8	30372	1	Chute Cover	17		2	3/8-16 x 3/4 Carriage Bolt
9	78031	1	Chute Attachment Pin Bag (pkg of 2)				
Item 10				71236 Motor Mount Kit			
15		1	5/16 Flat Washer Type A Narrow	22		3	3/8 Flat Washer Type A Wide SS
16		1	5/16-18 Hex Locknut GB SS	23		3	3/8-16 Hex Locknut Brass
17		2	3/8-16 x 3/4 Carriage Bolt	24		2	#10-32 Hex Locknut GB SS
18		1	Motor Mount	25		2	#10 Flat Washer Type A SS
19	76059	1	Bundling Clip	26	30377	1	Bolt Plate (incl. items 21 and 22)
20		2	3/8-16 Hex Nut SS	ns		2	Cable Tie
21		2	3/8 Spring Lock Washer SS				
Item 11				78268 3/8 Well Nut Fastener Kit			
21		2	3/8 Lock Washer SS	27		2	3/8-16 x 1-1/2 Hex Cap Screw SS
22		2	3/8 Flat Washer Type A Wide SS	28	78267	1	3/8-16 Well Nut (pkg of 2)
Item 12				78247 Chute Handle Kit			
29	78270	1	1/4 Well Nut Fastener Kit	30		1	Handle
Item 13				78298 Idler Kit			
15		1	5/16 Flat Washer Type A Narrow	27		1	3/8-16 x 1-1/2 Hex Cap Screw SS
16		1	5/16-18 Hex Locknut GB SS	31	65509	1	2" Idler Pulley
20		2	3/8-16 Hex Nut SS	32		1	3/8 x 3/8 x 5/16-18 Shoulder Bolt
21		1	3/8 Spring Lock Washer SS	33		1	Idler Arm
22		2	3/8 Flat Washer Type A Wide SS	34		1	Spring
Item 29				78270 1/4 Well Nut Fastener Kit			
35		2	1/4-20 x 1-1/2 Hex Cap Screw SS	37	78269	1	1/4-20 Well Nut (pkg of 2)
36		2	1/4 Flat Washer Type A Narrow SS				
		ns = not shown				G = Grade	
						SS = Stainless Steel	

Tornado™ HOPPER SPREADER

DEFLECTOR ASSEMBLY

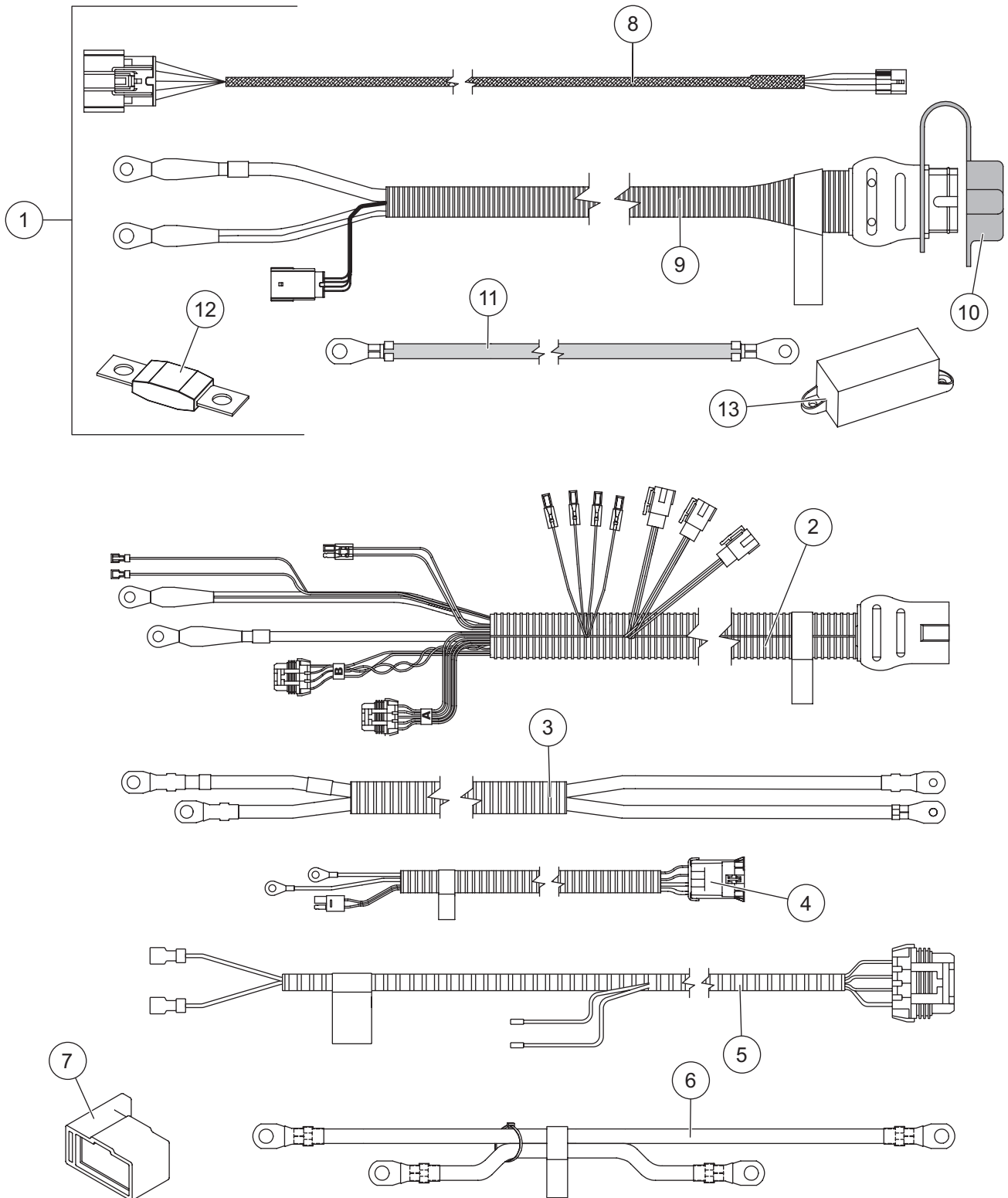


Tornado™ HOPPER SPREADER

Deflector Assembly							
Item	Part	Qty	Description	Item	Part	Qty	Description
1	77538	1	Chute Strut Kit	4	30376	1	Rear Deflector Kit
2	77539	1	Flow Guide Kit	5	30375	1	Front Deflector Support Kit
3	77543	1	Spinner Bump Guard Kit				
Item 1				77538 Chute Strut Kit			
6		12	3/8 Spring Lock Washer SS	11		1	Deflector Support Kit – PS
7		6	3/8 Flat Washer Type A Wide SS	12		1	Rear Deflector, Short
8		6	3/8-16 x 1-1/2 Hex Cap Screw SS	13	78302	1	Brace, PS
9		6	3/8-16 Well Nut	14	78301	1	Brace, DS
10		1	Deflector Support Kit – DS				
Item 2				77539 Flow Guide Kit			
6		2	3/8 Spring Lock Washer SS	16		2	3/8-16 x 3/4 Carriage Bolt
15		2	3/8-16 Hex Nut SS	17		1	Material Flow Guide
Item 3				77543 Spinner Bump Guard Kit			
5		1	Front Deflector Support Kit	16		2	3/8-16 x 3/4 Carriage Bolt
6		4	3/8 Spring Lock Washer SS	18		1	Hoop Assembly
15		4	3/8-16 Hex Nut SS	19		2	3/8-16 x 1-1/4 Carriage Bolt
Item 4				30376 Rear Deflector Kit			
6		6	3/8 Spring Lock Washer SS	15		6	3/8-16 Hex Nut SS
12		1	Rear Deflector, Short	16		6	3/8-16 x 3/4 Carriage Bolt
Item 5				30375 Front Deflector Support Kit			
6		2	3/8 Spring Lock Washer SS	15		1	3/8-16 Hex Nut SS
7		2	3/8 Flat Washer Type A Wide SS	19		1	3/8-16 x 1-1/4 Carriage Bolt
8		1	3/8-16 x 1-1/2 Hex Cap Screw SS	20		1	Front Deflector Support
9		1	3/8-16 Well Nut				
Item 10				30374 Deflector Support Kit – DS			
6		2	3/8 Spring Lock Washer SS	15		1	3/8-16 Hex Nut SS
7		1	3/8 Flat Washer Type A Wide SS	16		1	3/8-16 x 3/4 Carriage Bolt
8		1	3/8-16 x 1-1/2 Hex Cap Screw SS	21		1	Deflector Support – DS
9		1	3/8-16 Well Nut				
Item 11				30373 Deflector Support Kit – PS			
6		2	3/8 Spring Lock Washer SS	15		1	3/8-16 Hex Nut SS
7		1	3/8 Flat Washer Type A Wide SS	16		1	3/8-16 x 3/4 Carriage Bolt
8		1	3/8-16 x 1-1/2 Hex Cap Screw SS	22		1	Deflector Support – PS
9		1	3/8-16 Well Nut				
SS = Stainless Steel				G = Grade			

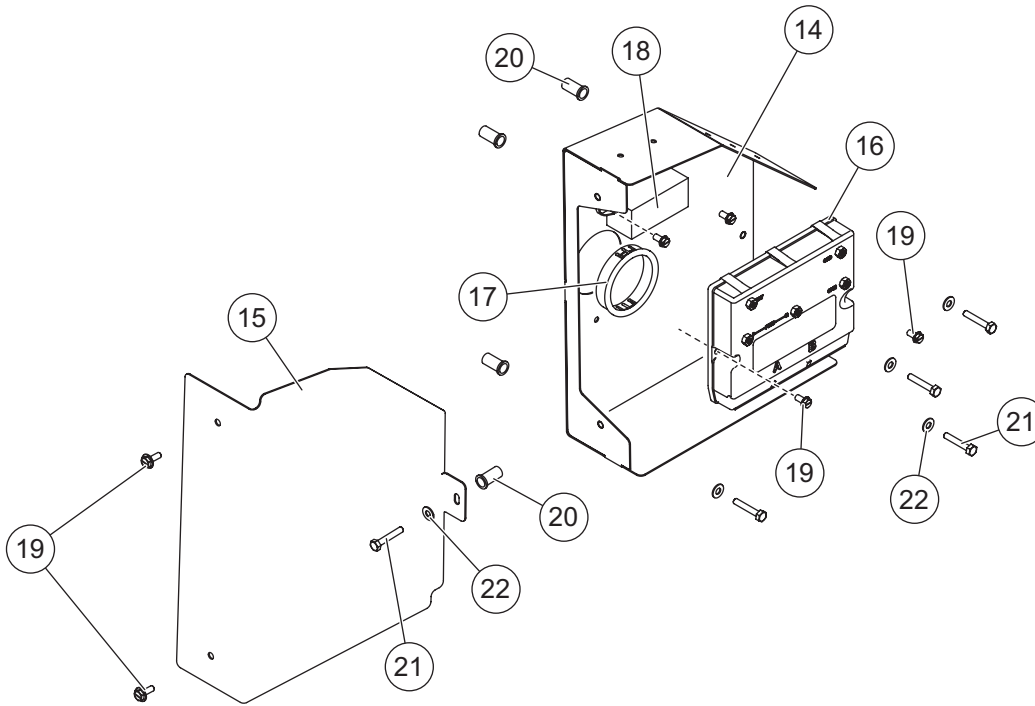
Tornado™ HOPPER SPREADER

CABLES & HARNESSING COMPONENTS



Tornado™ HOPPER SPREADER

ELECTRICAL ENCLOSURE COMPONENTS

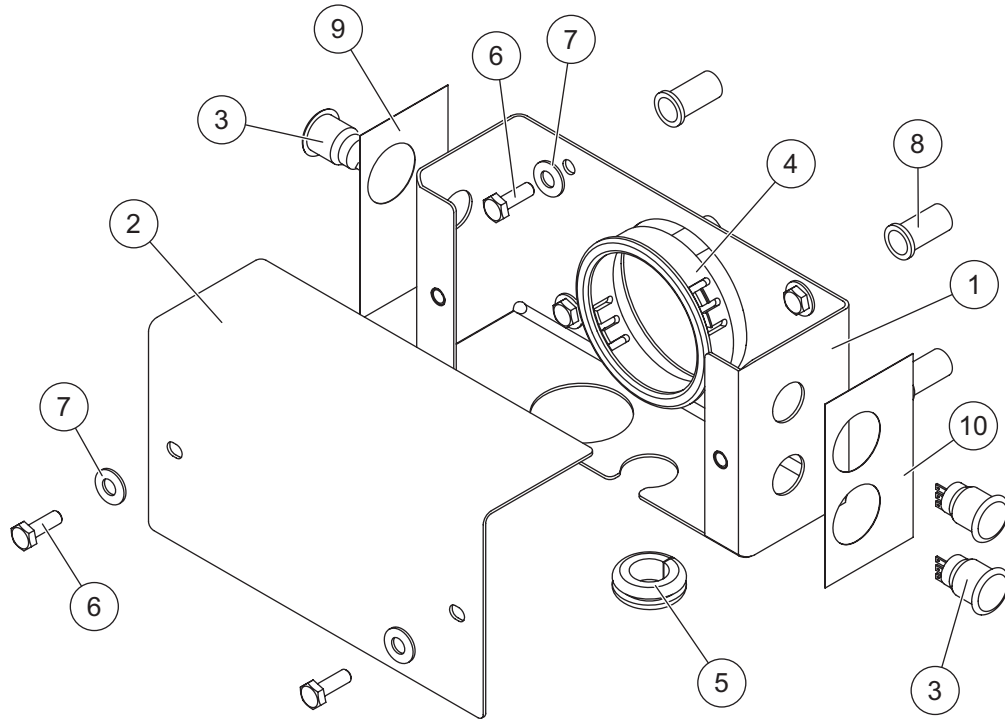


Cables & Harnessing / Electrical Enclosure Assembly							
Item	Part	Qty	Description	Item	Part	Qty	Description
1	78402	1	Vehicle-Side Harness Kit	4	78415	1	Spinner Motor Cable Assy, Hopper
2	78417	1	Hopper Harness Assembly	5	78412	1	Spinner Motor Cable Assembly, Chute
3	78418	1	Harness Assembly, Module to Conveyor Motor	6	78394	1	Cable Assembly, Mod. to Isolated Stud
				7	69916	1	8-Pin Cable Boot
Item 1	78402 Vehicle-Side Harness Kit						
8	69902	1	Vehicle Control Harness	12	95836	1	Fuse, 100A
9	76057	1	Vehicle Harness*	13	95837	1	Fuse Holder
10	99759	1	Plug Cover	ns		6	Cable Tie, HD
11	22511	1	22" Battery Cable – Red	ns		10	Cable Tie, 15.35"
	Electrical Enclosure Assembly						
14	95073	1	Electrical Enclosure Body	19		6	1/4-20 x 1/2 Hex Washer-Head Machine Screw SS
15	99745	1	Electrical Enclosure Cover	20	78263	5	Well Nut
16	52385	1	4-Post Spreader Module	21		5	1/4-20 x 1-1/2 Hex Cap Screw SS
17	78434	1	Snap-In Grommet	22		5	1/4 Flat Washer SS
18	95837	1	Isolated Stud Block				
			ns = not shown				SS = Stainless Steel

* Includes plug cover (item 10).

Tornado™ HOPPER SPREADER

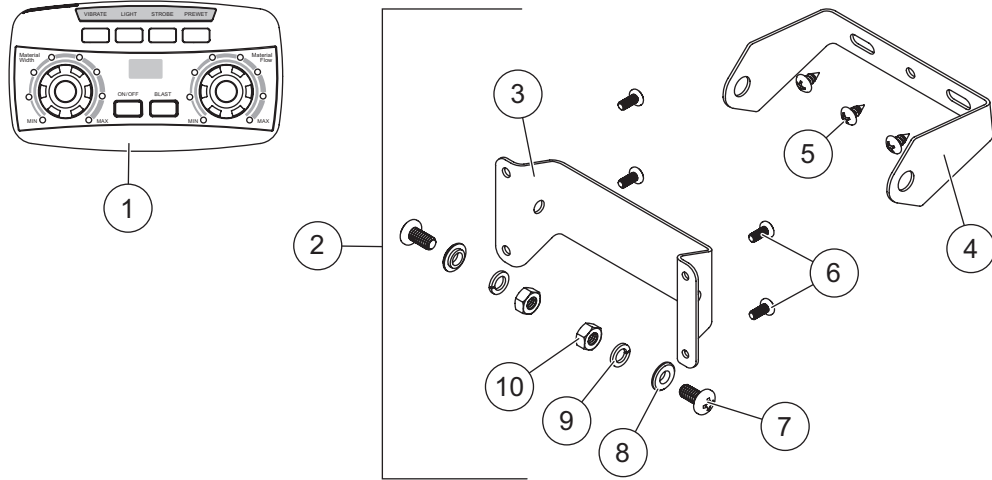
EXTERNAL ENCLOSURE



Switch Box Enclosure Assembly							
Item	Part	Qty	Description	Item	Part	Qty	Description
1	99746	1	External Enclosure, Body	7	6	6	1/4 Flat Washer SS
2	99747	1	External Enclosure, Cover	8	78263	4	Well Nut
3	99254	3	Push Button Switch	ns	95077	1	Dump Switch Label Kit (incl. items 9 & 10)
4	78434	1	Snap-In Grommet	9		1	One-Button Label
5	99195	2	Break-Thru Plug	10		1	Two-Button Label
6		6	1/4-20 x 3/4 Hex Cap Screw SS				
ns = not shown				SS = Stainless Steel			

Tornado™ HOPPER SPREADER

CAB CONTROL



99534 Cab Control Kit							
Item	Part	Qty	Description	Item	Part	Qty	Description
1	99774	1	Cab Control 2-Knob	2	52345	1	Cab Control Bracket Kit
Item 2				52345 Cab Control Bracket Kit			
3		1	Control Bracket, Inner	7		2	1/4-20 x 1/2 Pan Head Machine Screw SS – Black Oxide
4		1	Control Bracket, Outer	8		2	1/4 Shoulder Washer – Black Oxide
5		3	#10 x 3/8 Tapping Screw SS	9		2	1/4 Lock Washer SS
6		4	#8-32 x 3/8 Phillips Pan Head Machine Screw	10		2	1/4-20 Hex Nut G5 – Black Oxide
G = Grade				SS = Stainless Steel			

ACCESSORIES & PRE-WET KITS

Accessories			
Part	Description	Part	Description
78197	License Plate Light Kit	76668	Vibrator Kit
99505-1	Primary Work Light Kit	78120	Inverted V Kit, 8' Model
99732-1	Secondary Work Light Kit	78150	Inverted V Kit, 7' Model
99766	Strobe Light Kit	68790	Ratchet Tie-Down Kit
Pre-Wet Kits			
76400	Standard Pump Kit, ON-OFF System	76425	50-Gallon Tank Kit (2 x 25 gal)
76420	Deluxe Pump Kit, Full-Feature System		

Tornado™ HOPPER SPREADER



Western Products
PO Box 245038
Milwaukee, WI 53224-9538
www.westernplows.com

 A DIVISION OF DOUGLAS DYNAMICS, LLC

Copyright © 2022 Douglas Dynamics, LLC. All rights reserved. This material may not be reproduced or copied, in whole or in part, in any printed, mechanical, electronic, film, or other distribution and storage media, without the written consent of Western Products. Authorization to photocopy items for internal or personal use by Western Products outlets or spreader owner is granted.

Western Products reserves the right under its product improvement policy to change construction or design details and furnish equipment when so altered without reference to illustrations or specifications used. Western Products or the vehicle manufacturer may require or recommend optional equipment for spreaders. Do not exceed vehicle ratings with a spreader. Western Products offers a limited warranty for all spreaders and accessories. See separately printed page for this important information. The following are registered (®) or unregistered (™) trademarks of Douglas Dynamics, LLC: Tornado™, WESTERN®.

Printed in U.S.A.